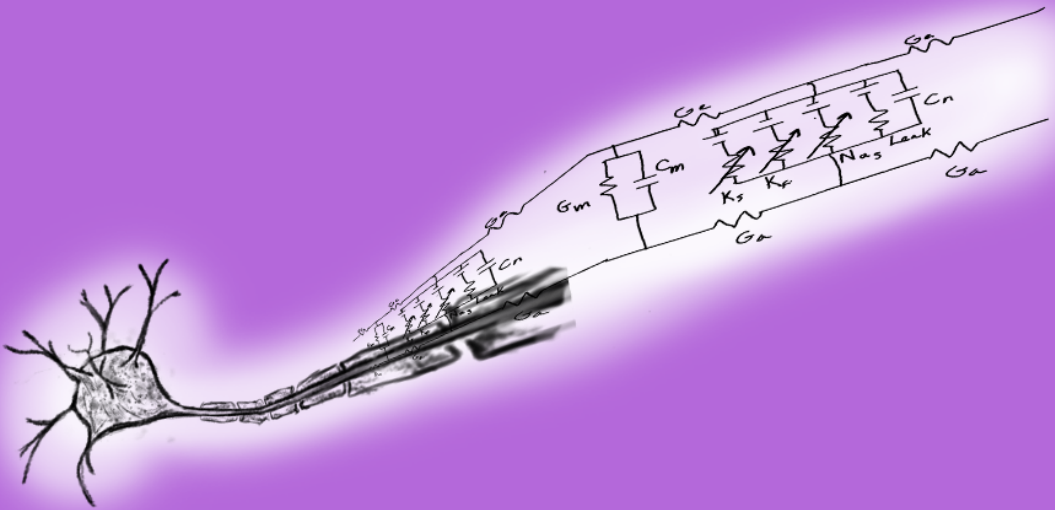


The Physical Axon

Modeling,
Simulation and
Electrode Evaluation



Malcolm Latorre