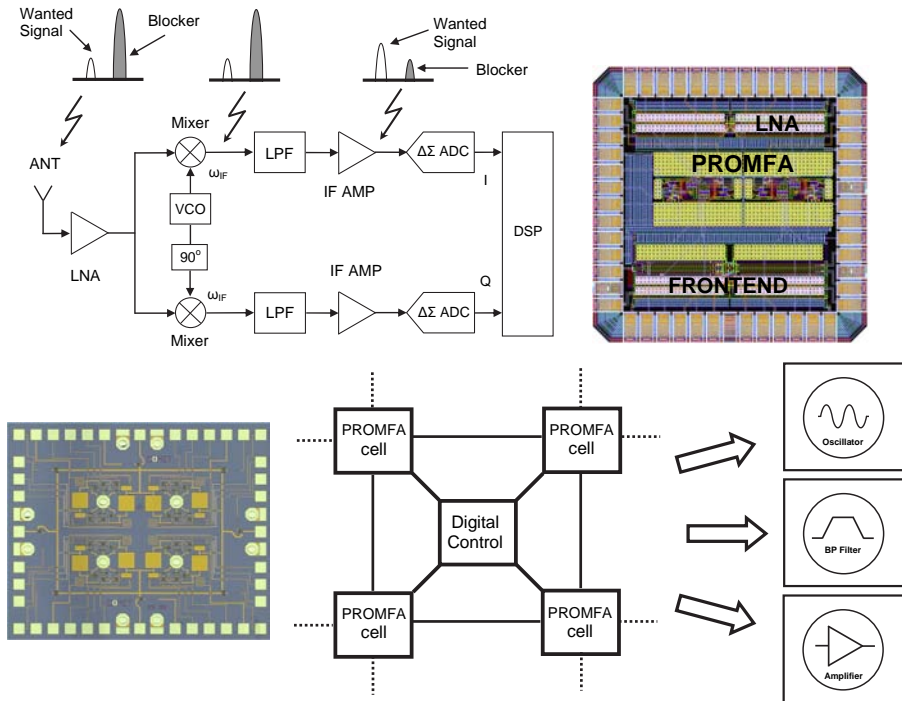


Reconfigurable and Broadband Circuits for Flexible RF Front Ends

Naveed Ahsan



Department of Electrical Engineering
Linköping University, SE-581 83 Linköping, Sweden
Linköping 2009

ISBN: 978-91-7393-605-7
ISSN 0345-7524



Linköping University
INSTITUTE OF TECHNOLOGY