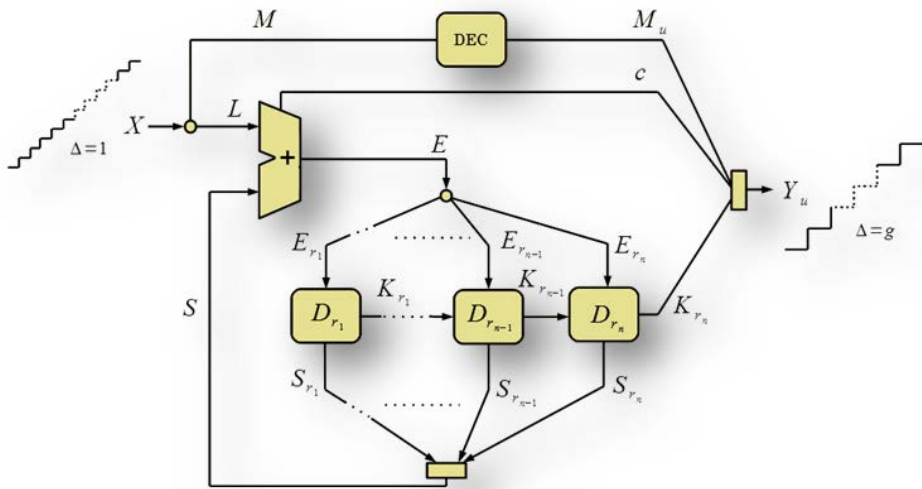


# Complexity and Power Reduction in Digital Delta-Sigma Modulators

Nadeem Afzal





## Linköping University

Linköping Studies in Science and Technology No. 1640, 2015  
Department of Electrical Engineering  
Linköping University, SE-581 83 Linköping  
[www.liu.se](http://www.liu.se)